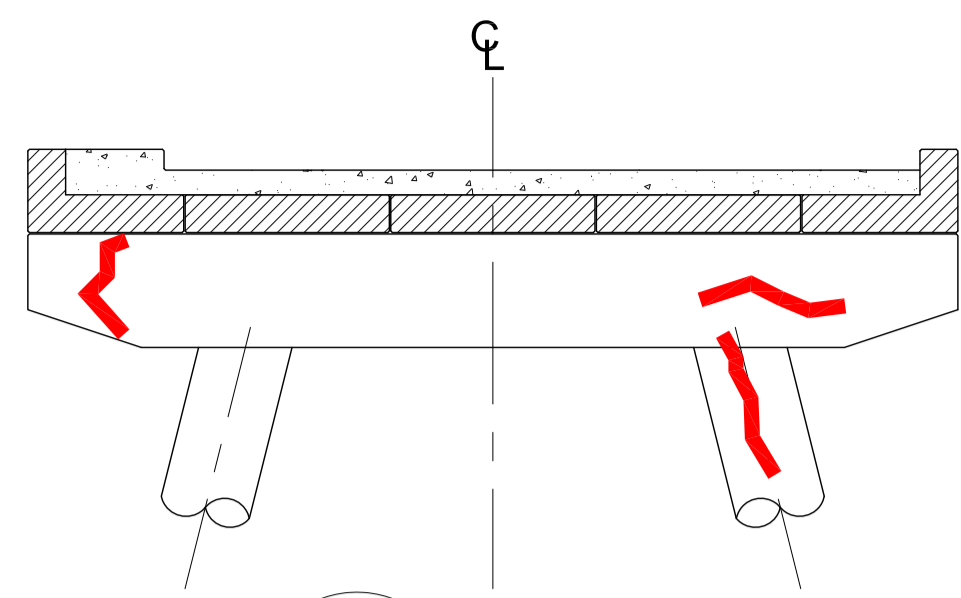
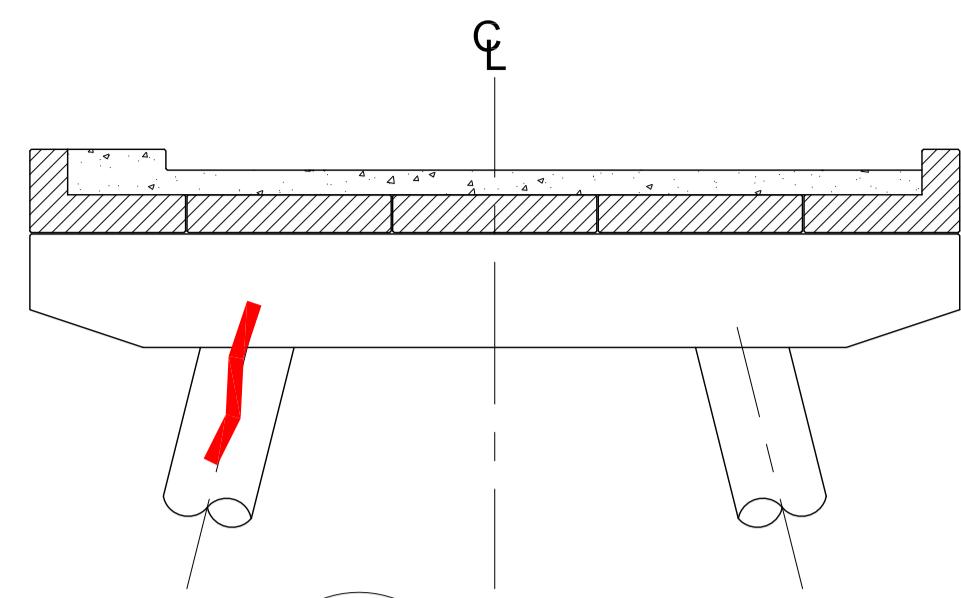


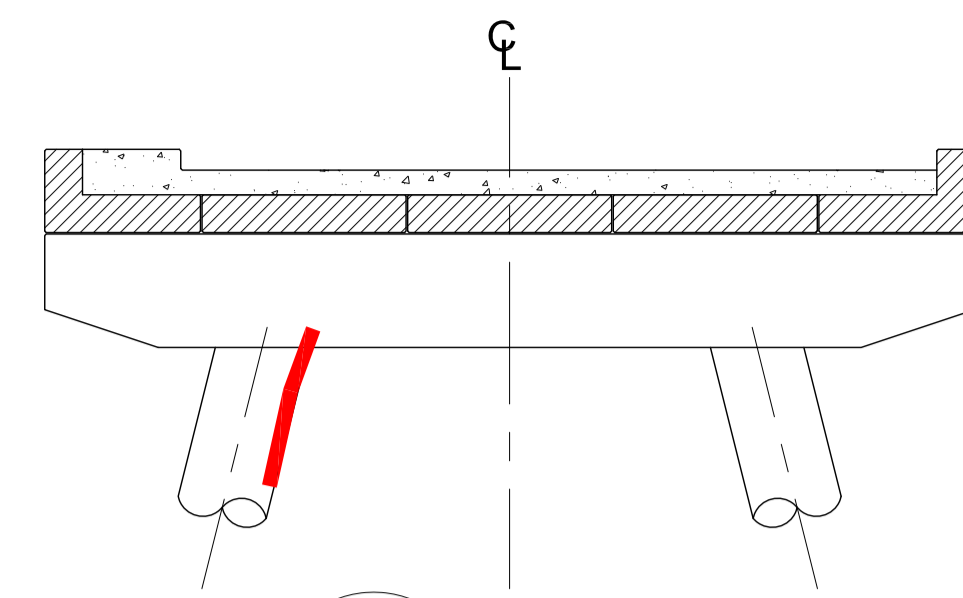
5 SECTION
SCALE 1:50
06/06 BENT C OFFSHORE FACE



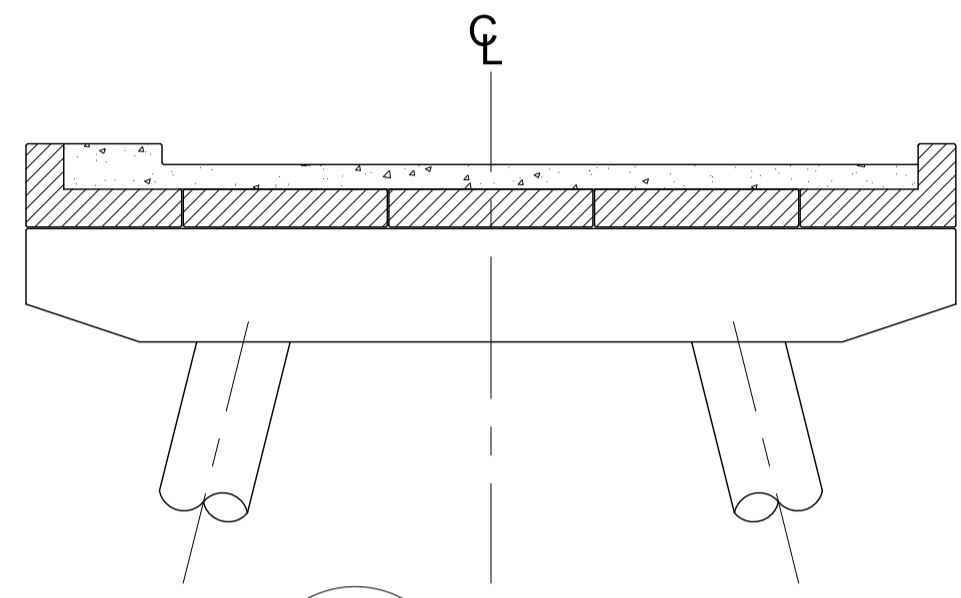
10 SECTION
SCALE 1:50
06/06 BENT E SHORE FACE



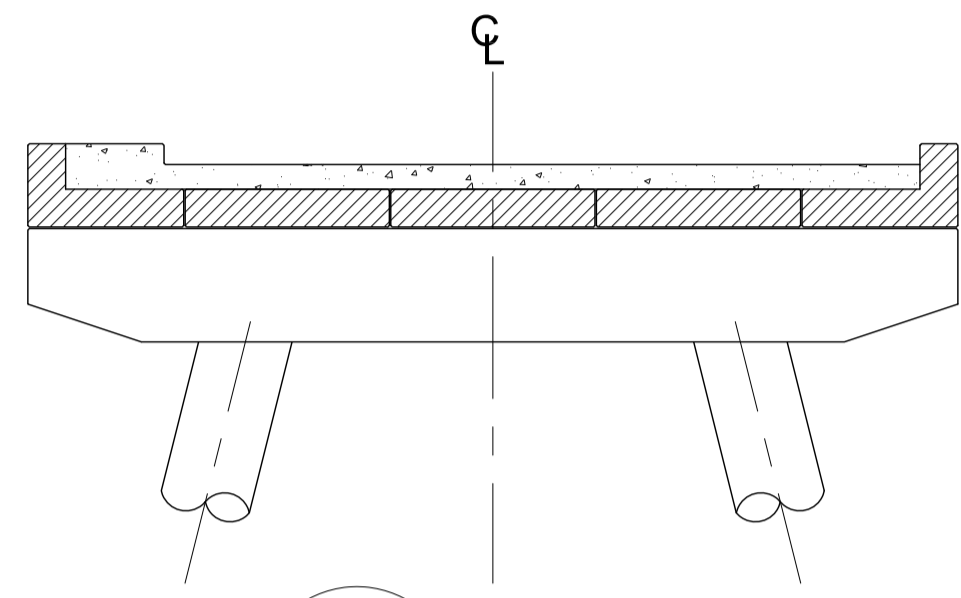
15 SECTION
SCALE 1:50
06/06 BENT H OFFSHORE FACE



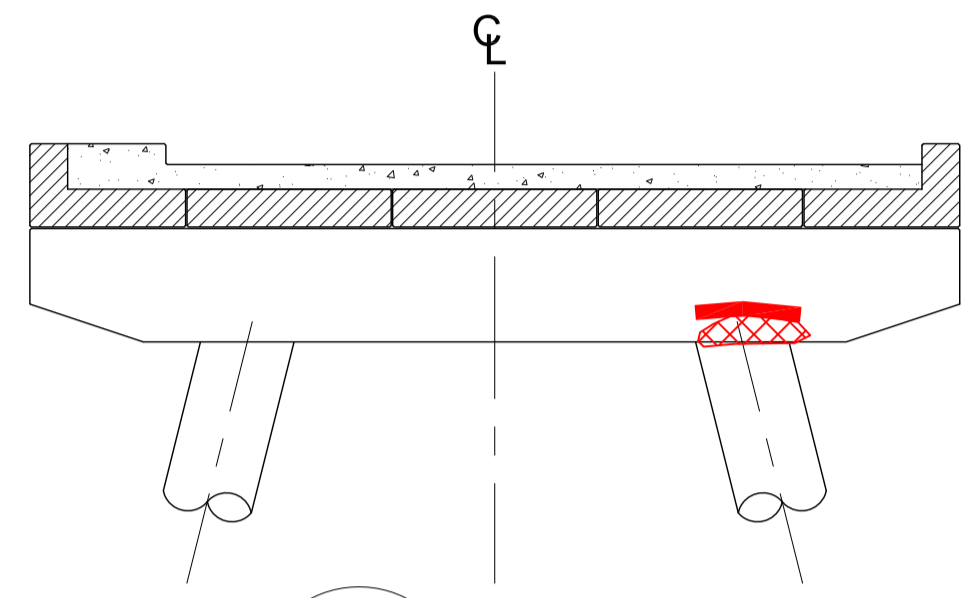
20 SECTION
SCALE 1:50
06/06 BENT K SHORE FACE



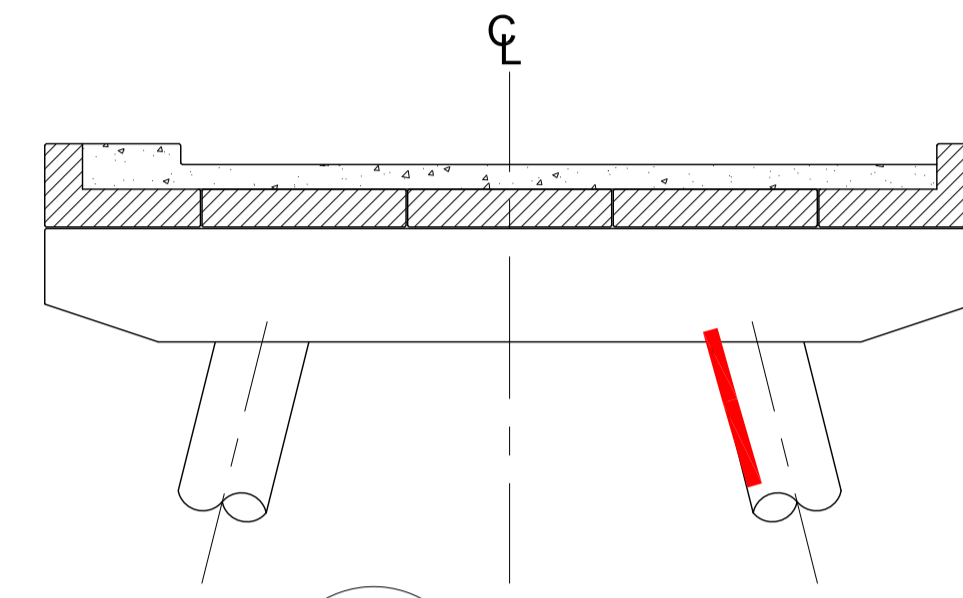
4 SECTION
SCALE 1:50
06/06 BENT B SHORE FACE



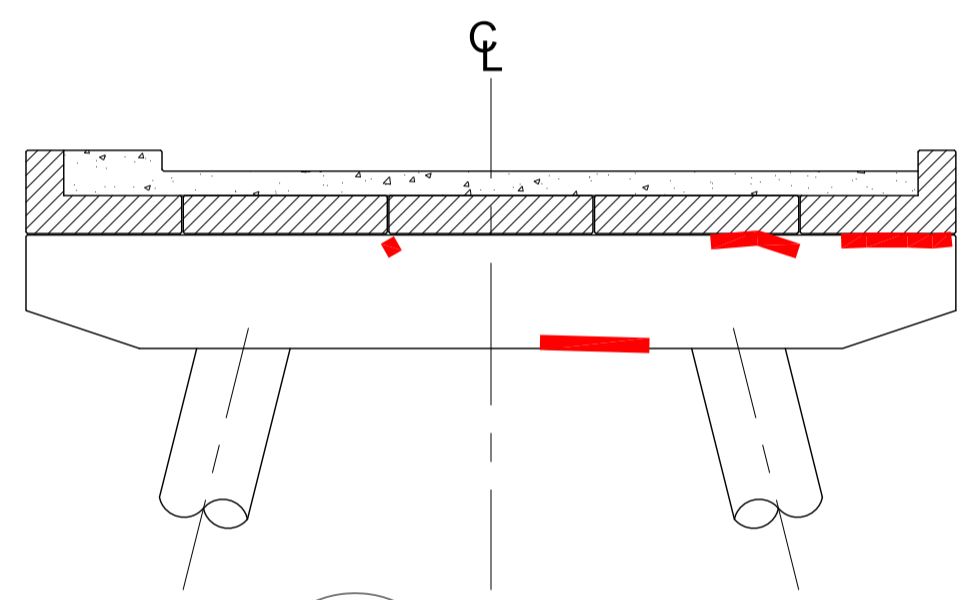
9 SECTION
SCALE 1:50
06/06 BENT E OFFSHORE FACE



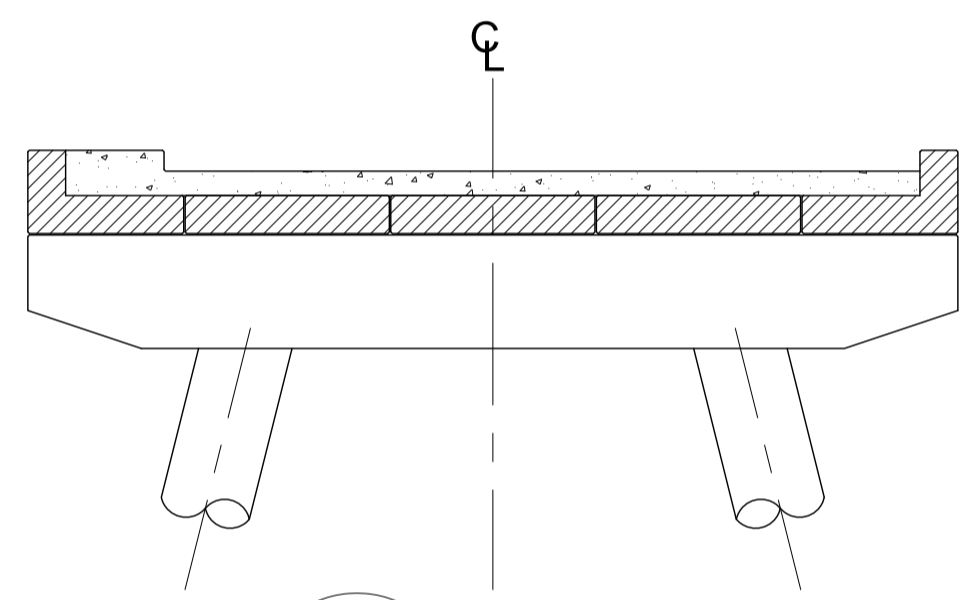
14 SECTION
SCALE 1:50
06/06 BENT G SHORE FACE



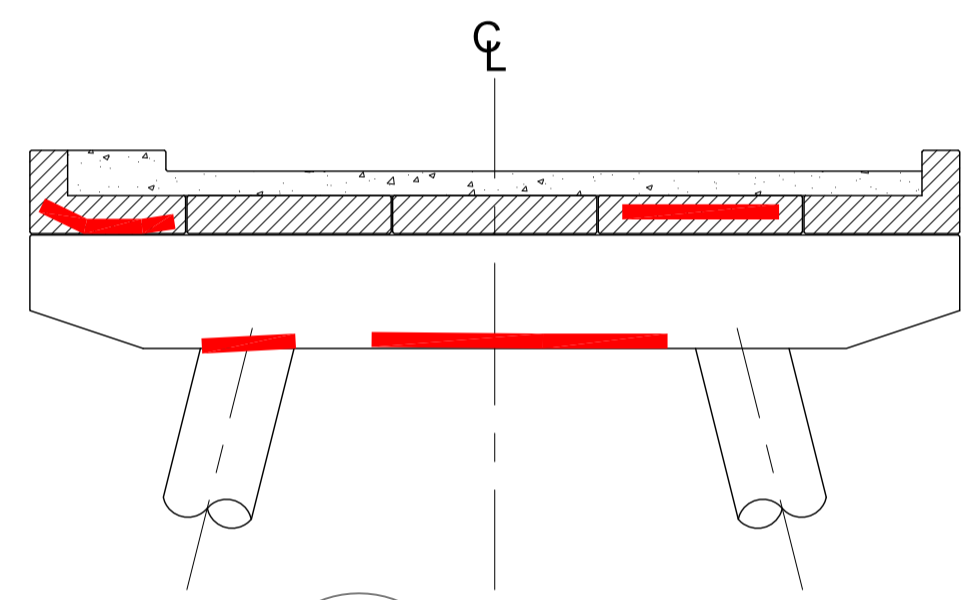
19 SECTION
SCALE 1:50
06/06 BENT K OFFSHORE FACE



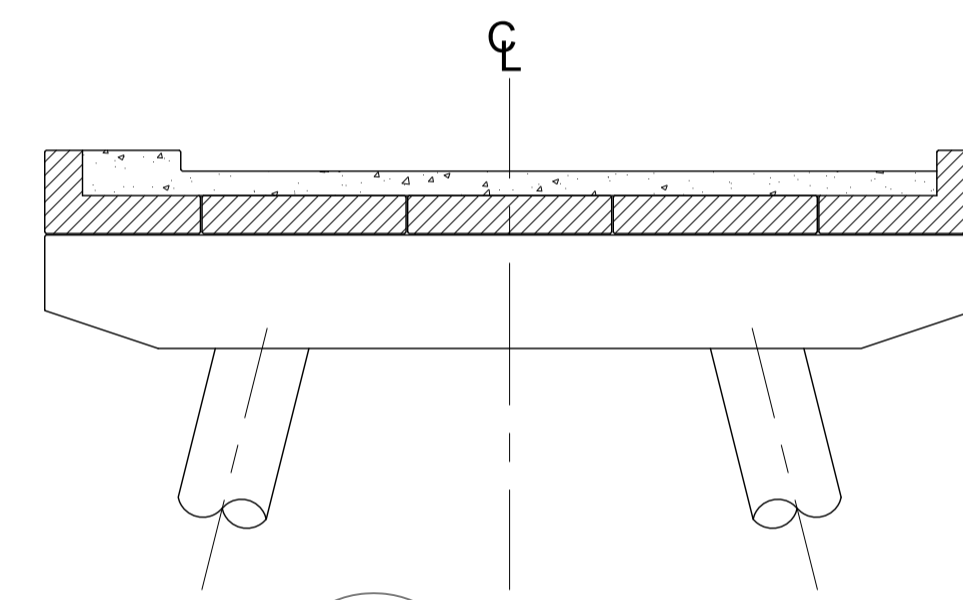
3 SECTION
SCALE 1:50
06/06 BENT B OFFSHORE FACE



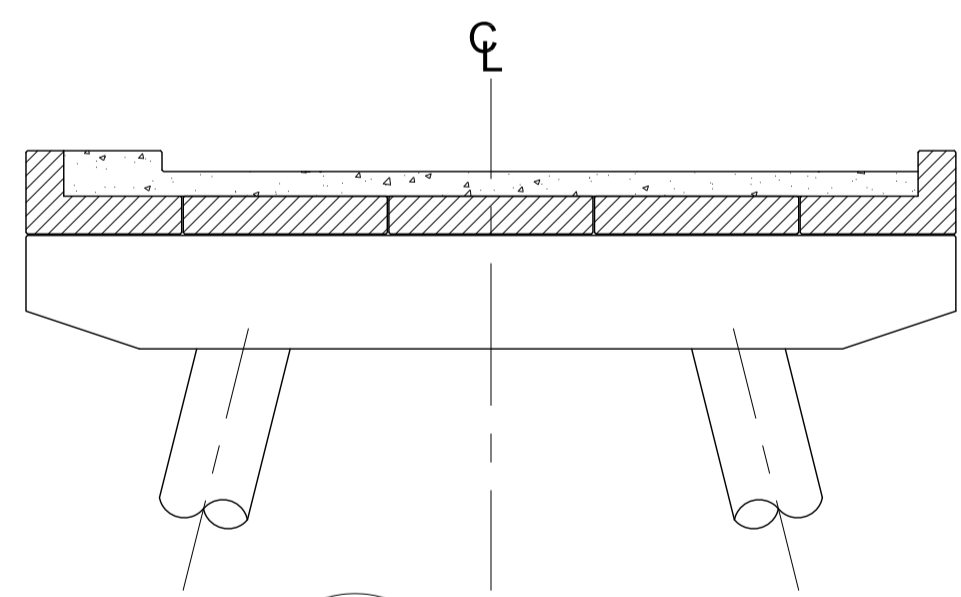
8 SECTION
SCALE 1:50
06/06 BENT D SHORE FACE



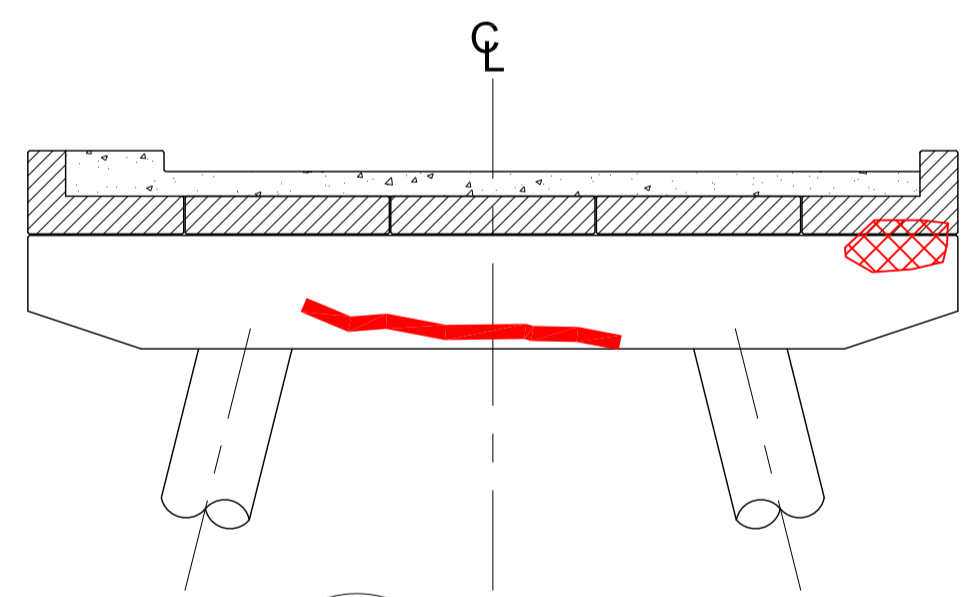
13 SECTION
SCALE 1:50
06/06 BENT G OFFSHORE FACE



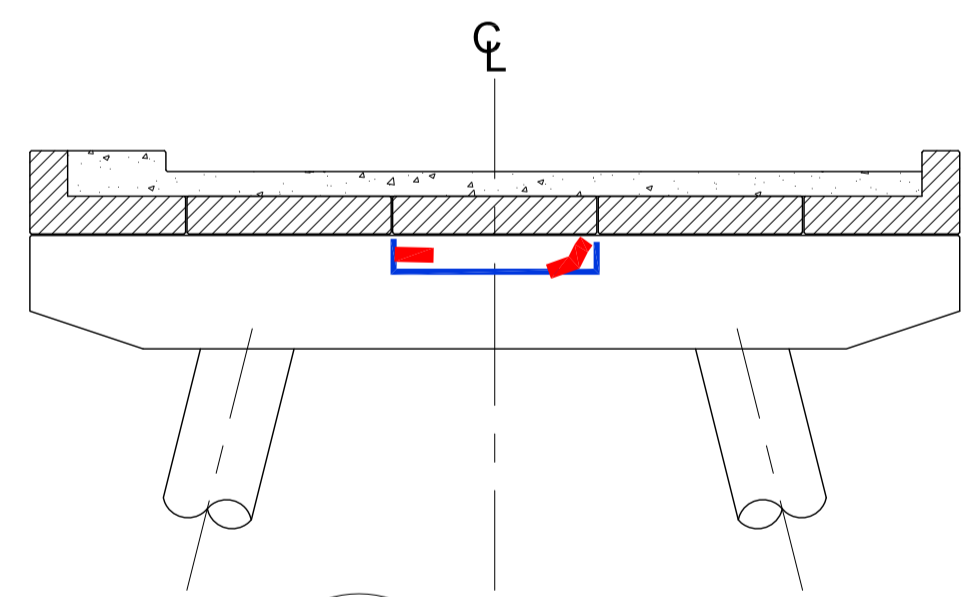
18 SECTION
SCALE 1:50
06/06 BENT J SHORE FACE



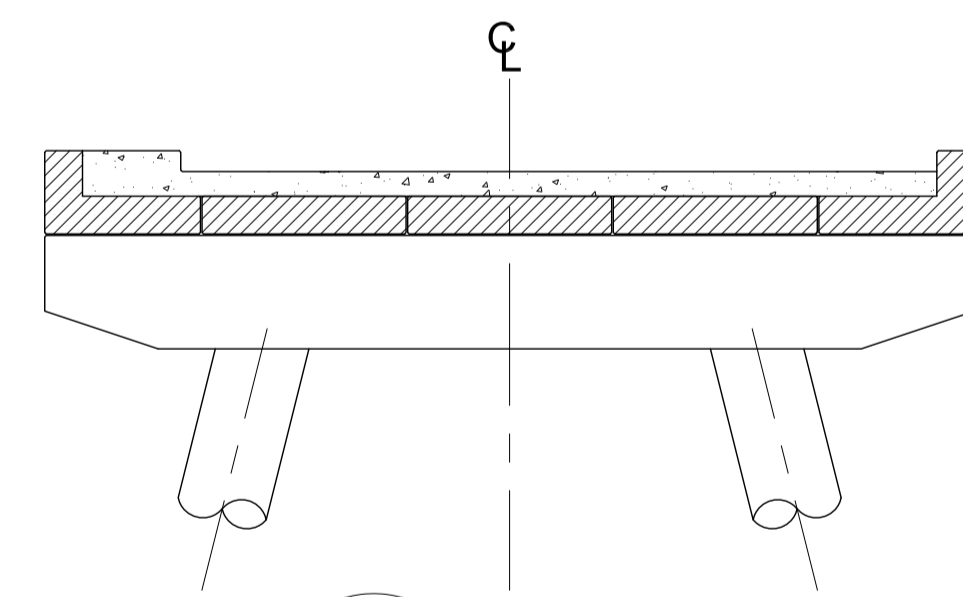
2 SECTION
SCALE 1:50
06/06 BENT A SHORE FACE



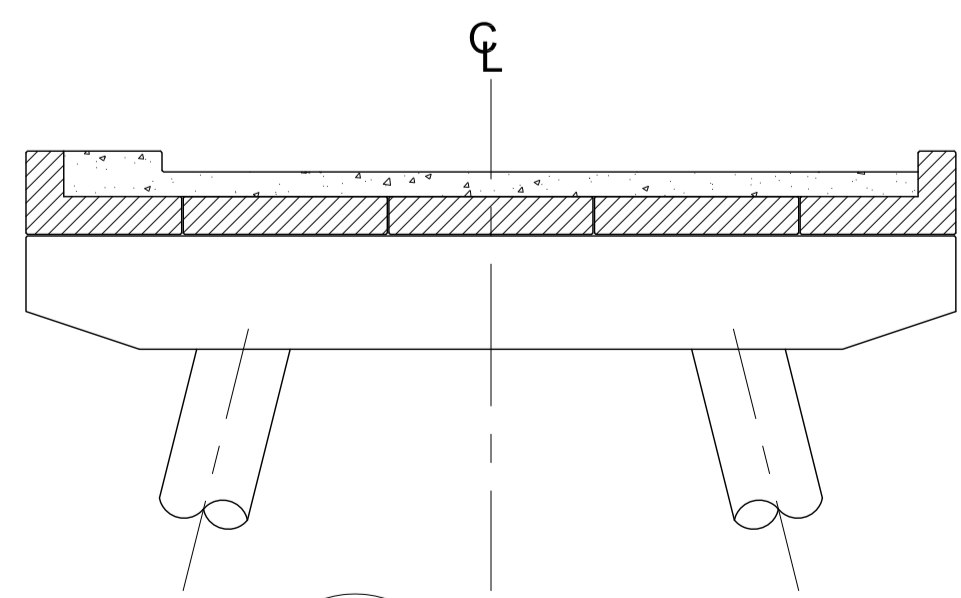
7 SECTION
SCALE 1:50
06/06 BENT D OFFSHORE FACE



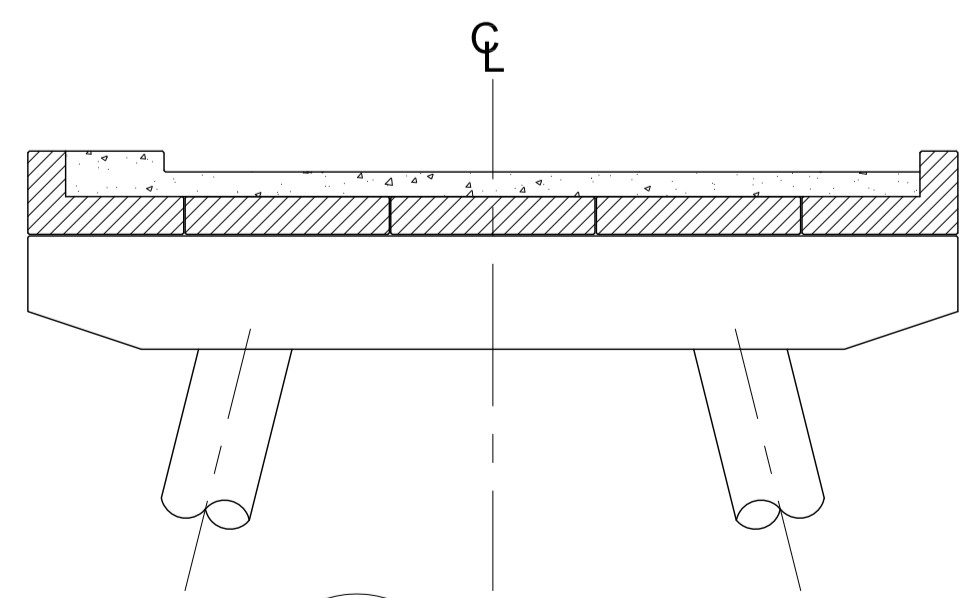
12 SECTION
SCALE 1:50
06/06 BENT F SHORE FACE



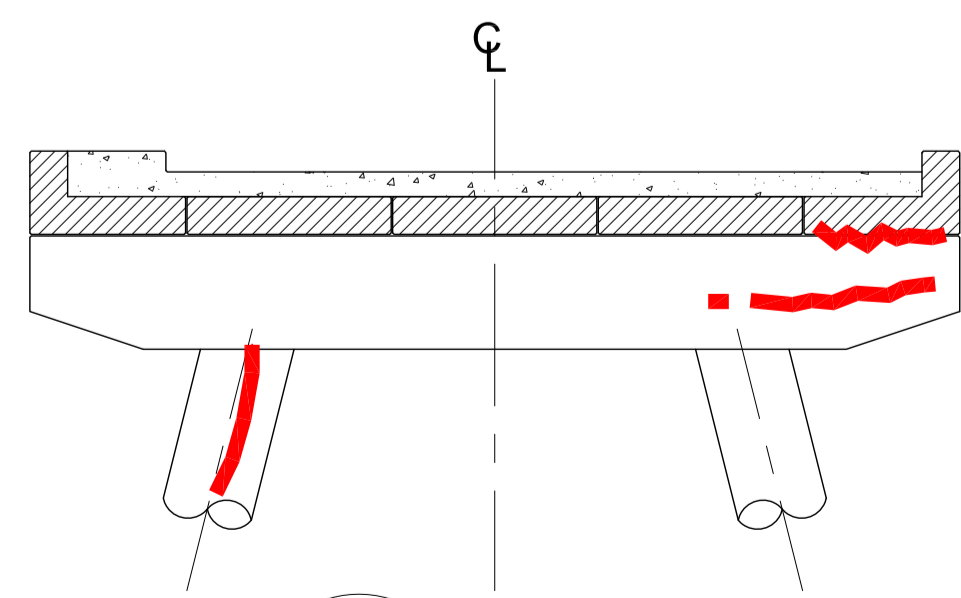
17 SECTION
SCALE 1:50
06/06 BENT J OFFSHORE FACE



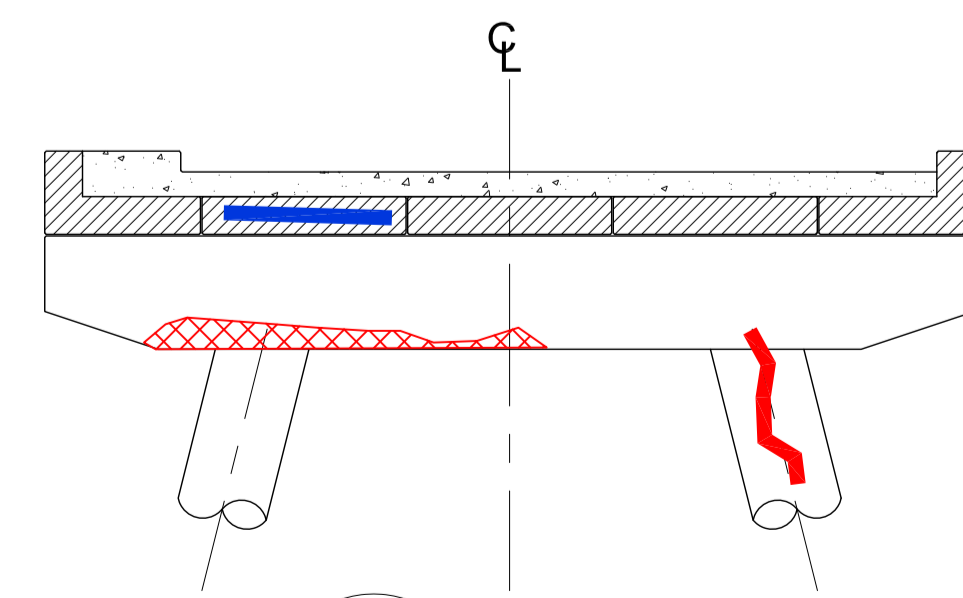
1 SECTION
SCALE 1:50
06/06 BENT A OFFSHORE FACE



6 SECTION
SCALE 1:50
06/06 BENT C SHORE FACE



11 SECTION
SCALE 1:50
06/06 BENT F OFFSHORE FACE



16 SECTION
SCALE 1:50
06/06 BENT H SHORE FACE

ASSOCIATED DRAWINGS

No.	TITLE
01	GENERAL ARRANGEMENT DRAWING
02	PILENG & BEAM LAYOUT DRAWING
03	DAMAGE TO SLABS & BEAM SOFFITS
04	DAMAGE TO SLABS & SURFACE OF JETTY
05	JETTY MISSING BOLLARDS
06	SECTIONS BENT 1+1 TO BENT 4+8 MAIN JETTY
07	SECTIONS BENT 1+1 TO BENT 2+8 MAIN JETTY
08	SECTIONS BENT 2+1 TO BENT Y & Z NORTH FACE MAIN JETTY

NOTES

- ALL DIMENSIONS ARE IN MILLIMETRES.
- NO DIMENSIONS ARE TO BE SCALED FROM THIS DRAWING.
- THIS DRAWING IS TO BE READ IN CONJUNCTION WITH ALL ASSOCIATED DRAWINGS.

LEGEND

- Surface cracking to concrete
- Spalled concrete and exposed rebar
- Cracked columns
- Failed pile cap
- Blue areas indicate the repair works undertaken following the 2002 survey.

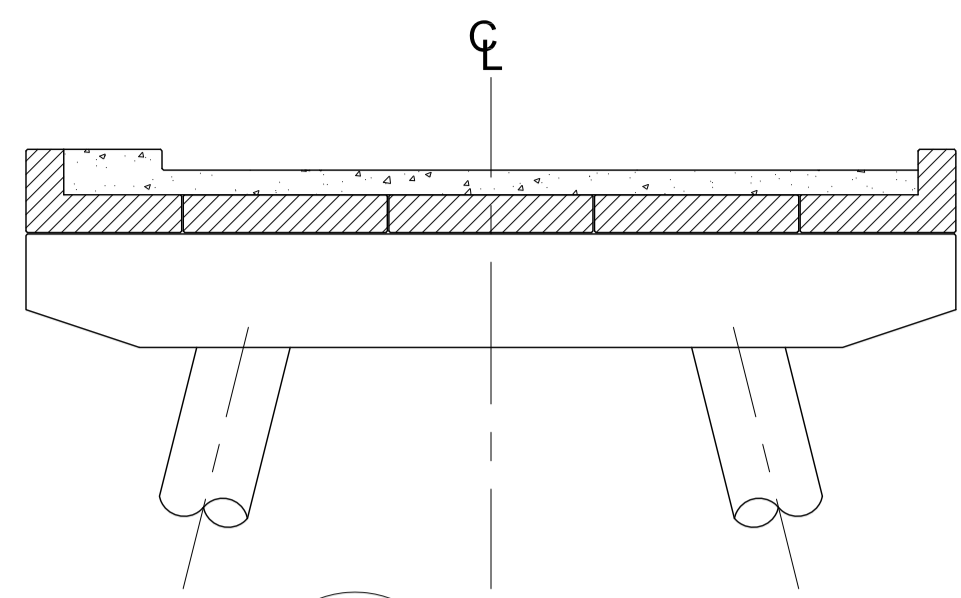
AMENDMENTS

SER	DESCRIPTION	AUTH	DATE
ROAD BAY JETTY INSPECTION ANGUILLA			
SECTIONS BENT A to BENT K JETTY APPROACH			
DRAWING Nw/CAD FILE: B5/04_05_08/06			

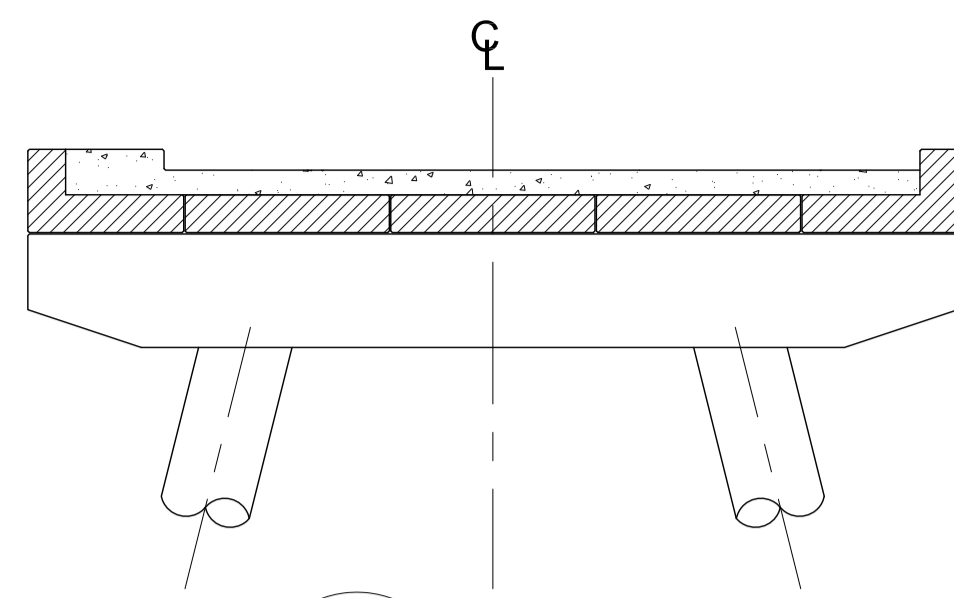
SCALE: 1:50@A1	DATE: 23 JUL 14
65 Wks Gp RE	
170 (INFRA) SP1 ENGR GP CHILWELL NOTTINGHAM NG9 5HA	

OC STRE	MAJ AP NIXON MBE RE	APPROVED
CHARTERED ENGINEER	WOZ C GREEN RE	APPROVED

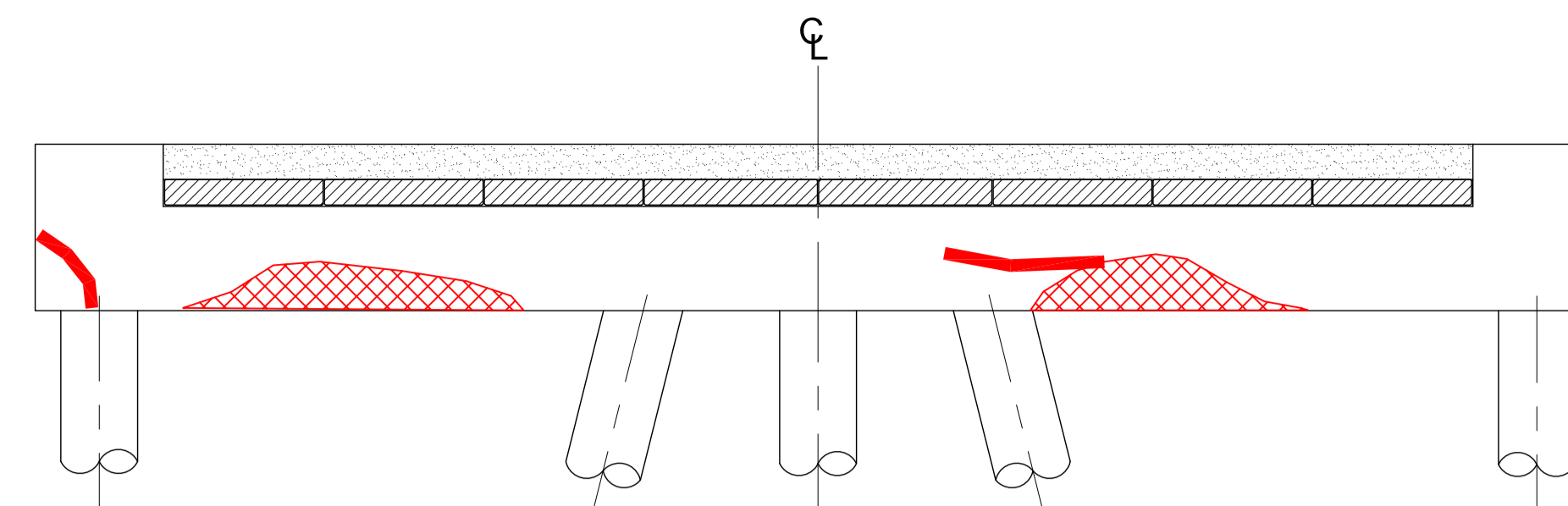
GE	DATE	SIG.
CLK WKS	DATE	SIG.
DRAWN BY	CHECKED	SIG.
SURVEYED	CHECKED	SIG.



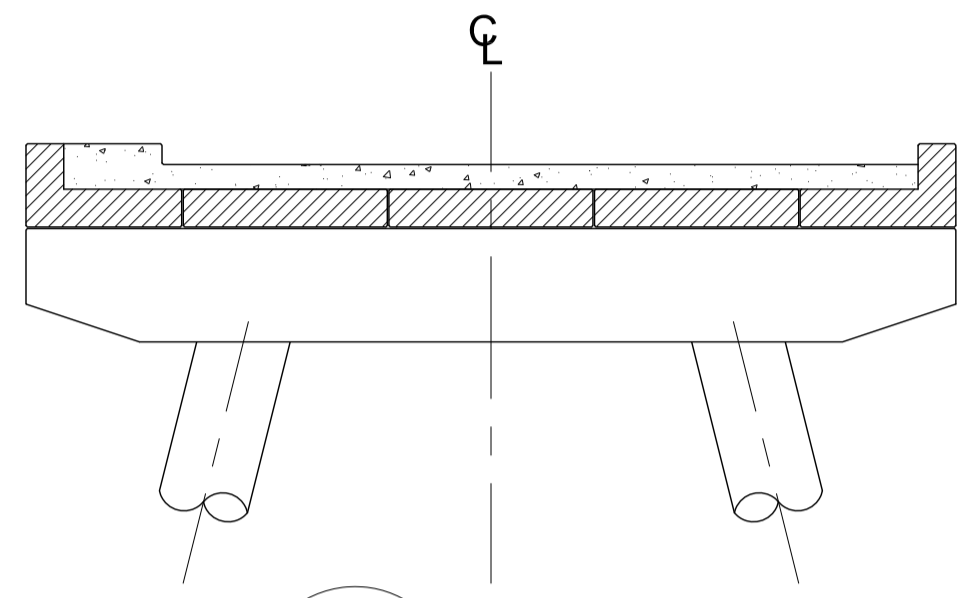
5
SECTION
SCALE 1:50
BENT N OFFSHORE FACE



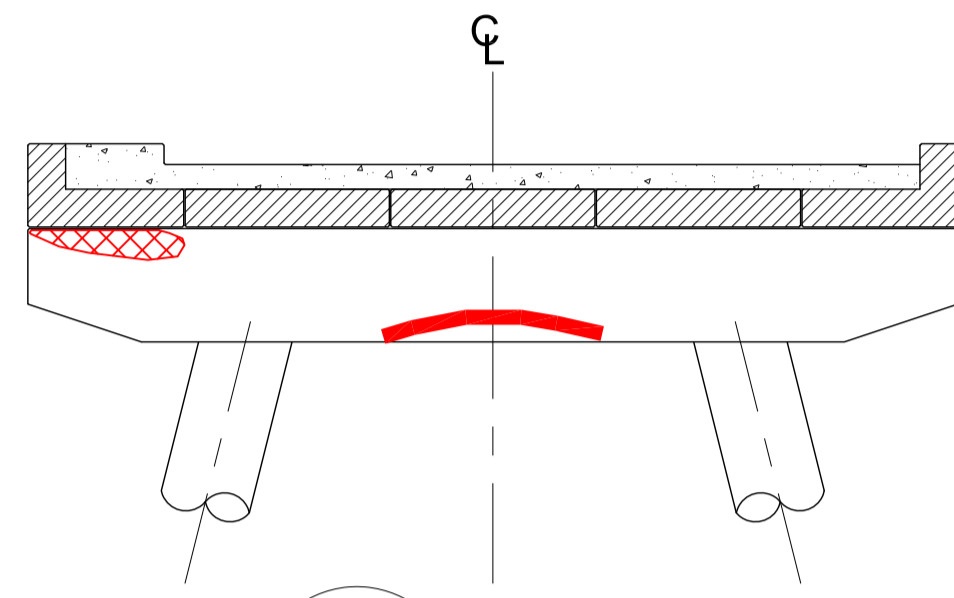
10
SECTION
SCALE 1:50
BENT Q SHORE FACE



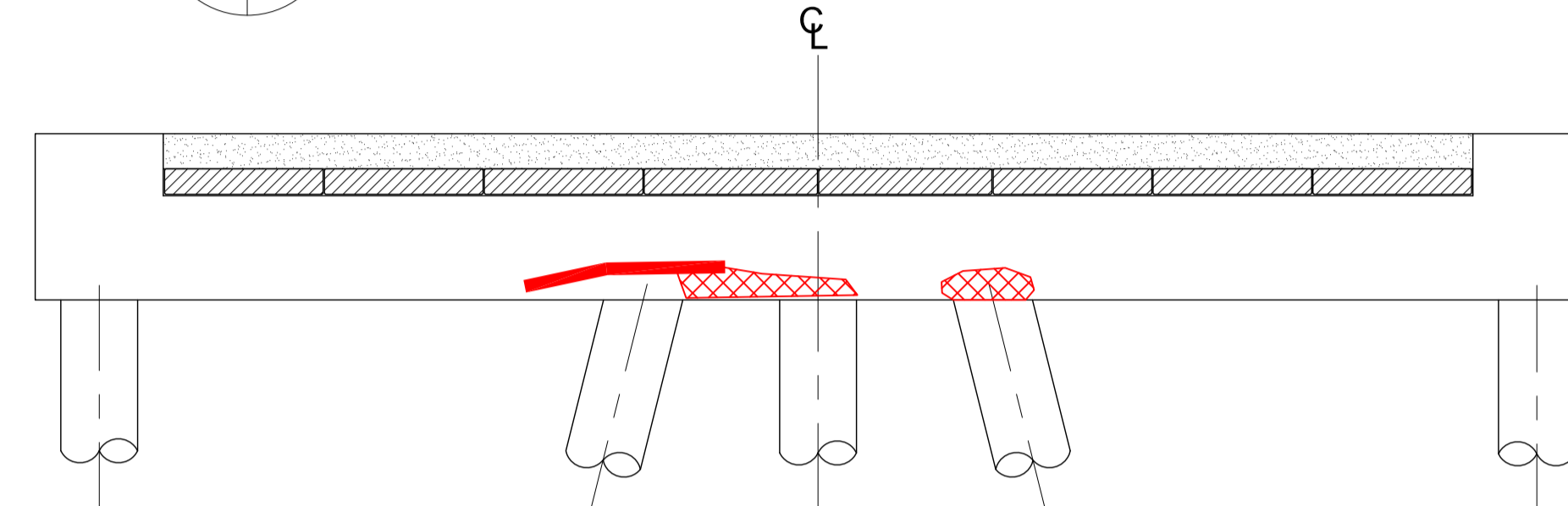
16
SECTION
SCALE 1:50
BENT T SHORE FACE



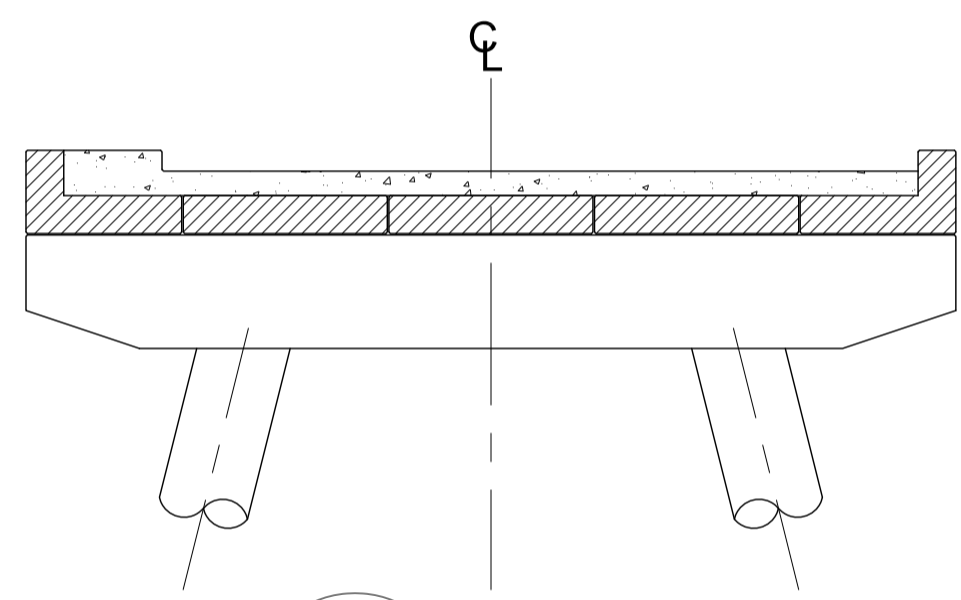
4
SECTION
SCALE 1:50
BENT M SHORE FACE



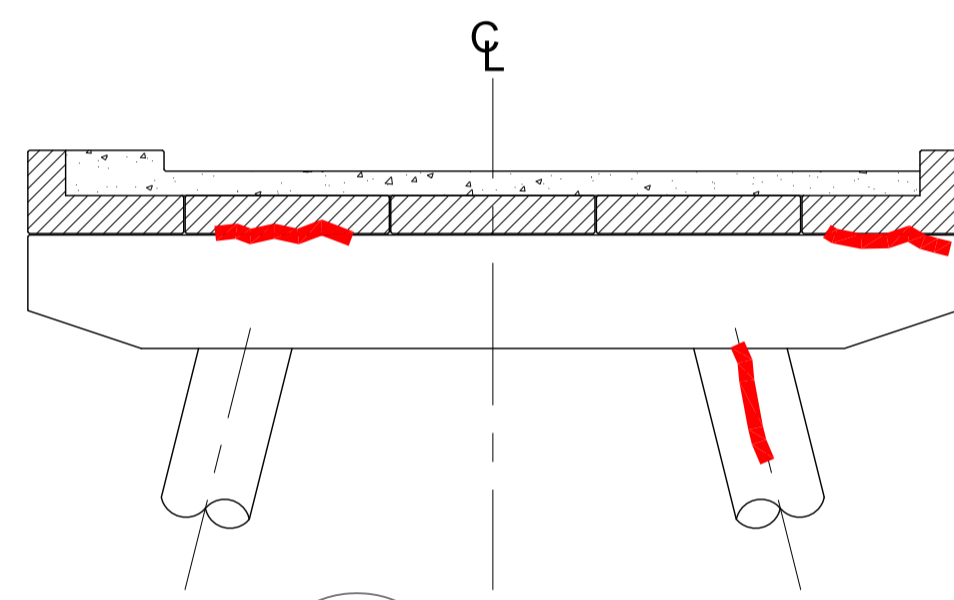
9
SECTION
SCALE 1:50
BENT Q OFFSHORE FACE



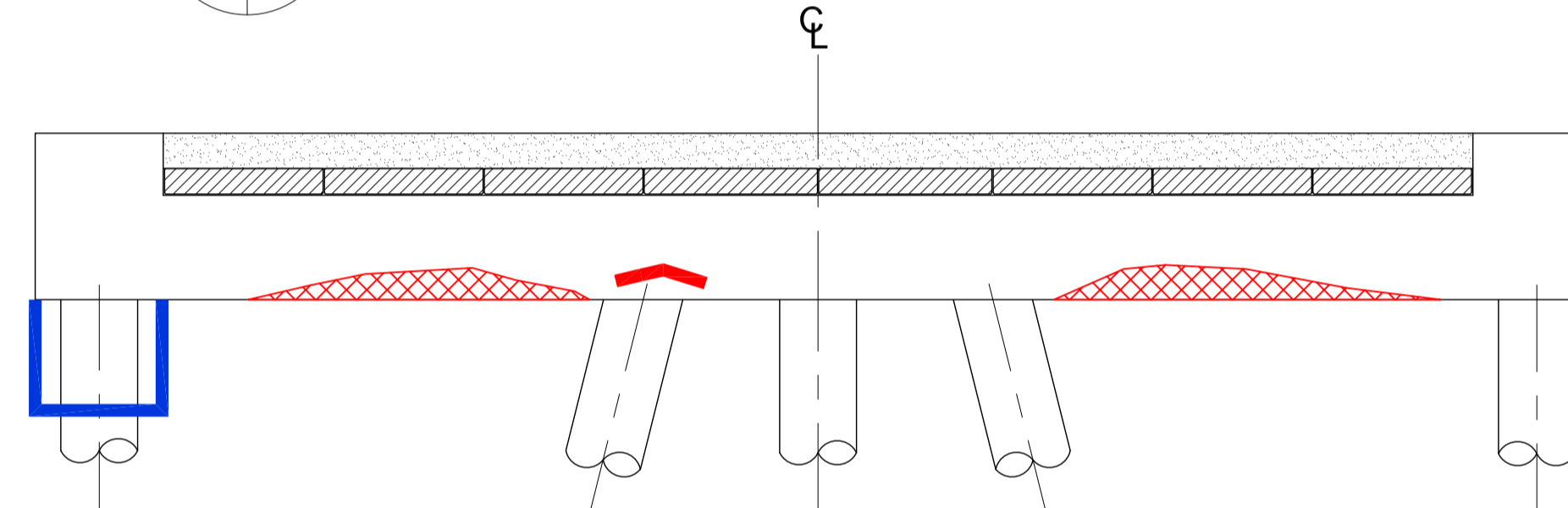
15
SECTION
SCALE 1:50
BENT T OFFSHORE FACE



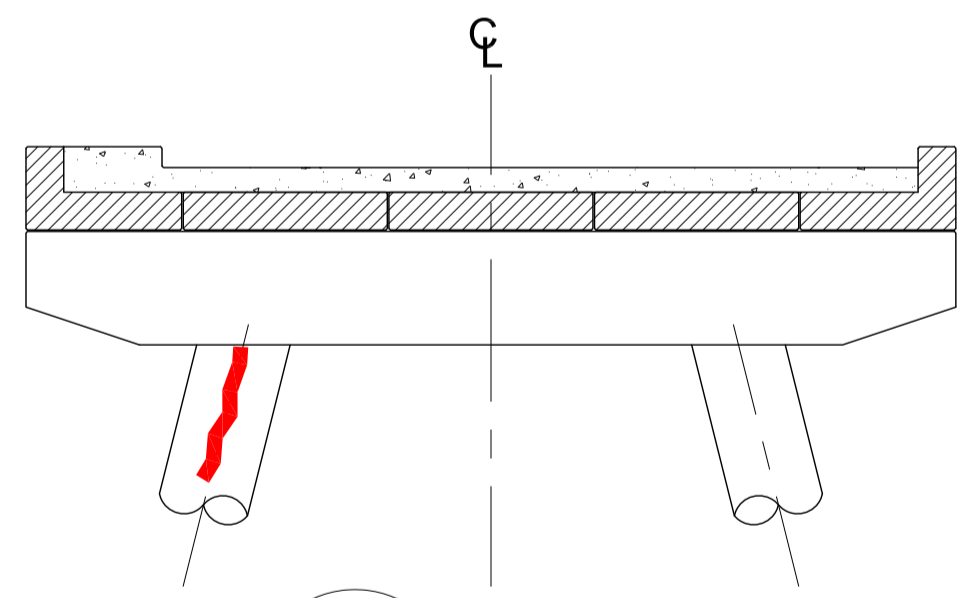
3
SECTION
SCALE 1:50
BENT M OFFSHORE FACE



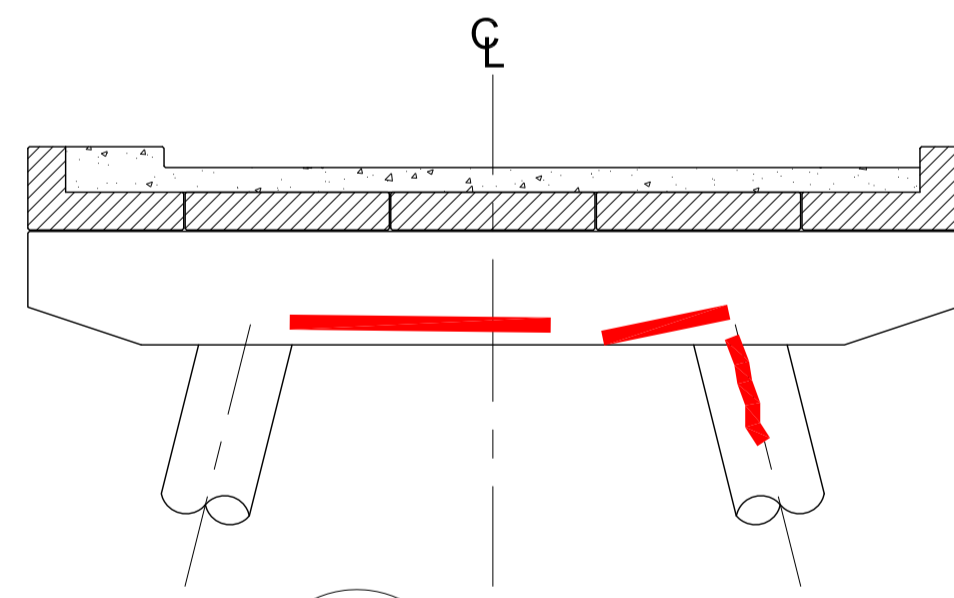
8
SECTION
SCALE 1:50
BENT P SHORE FACE



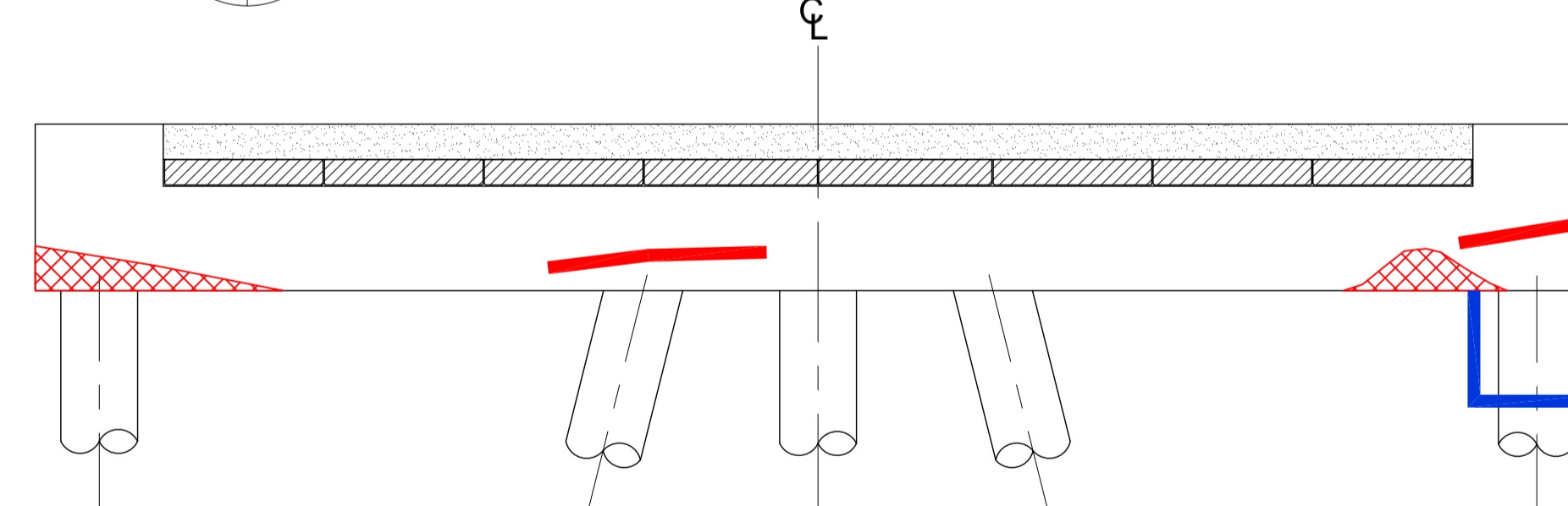
14
SECTION
SCALE 1:50
BENT S SHORE FACE



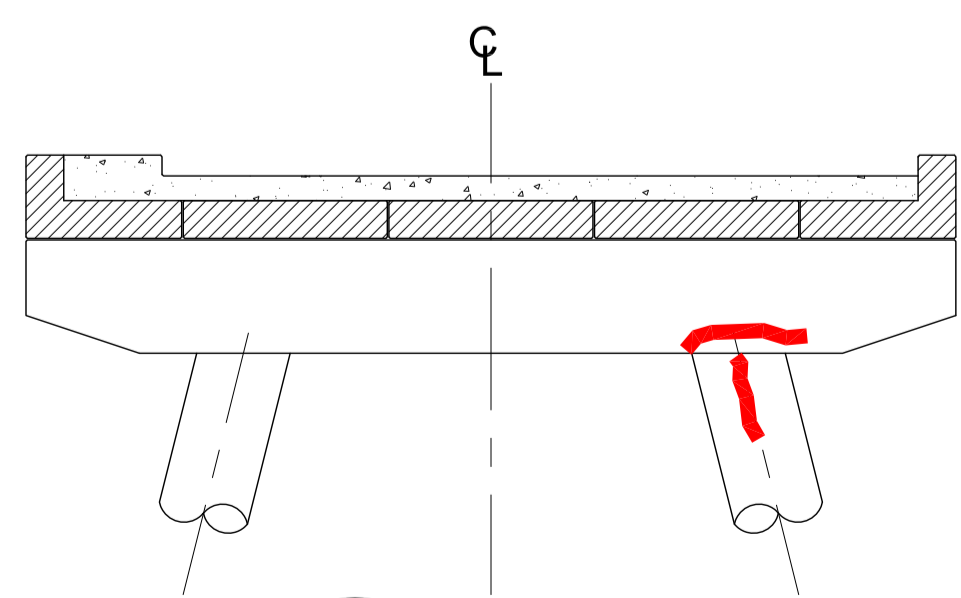
2
SECTION
SCALE 1:50
BENT L SHORE FACE



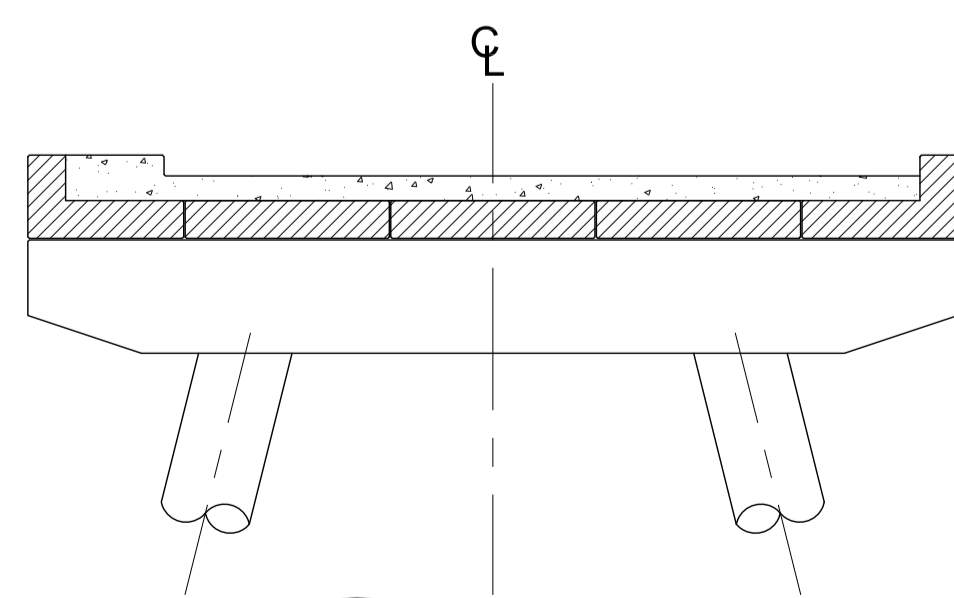
7
SECTION
SCALE 1:50
BENT P OFFSHORE FACE



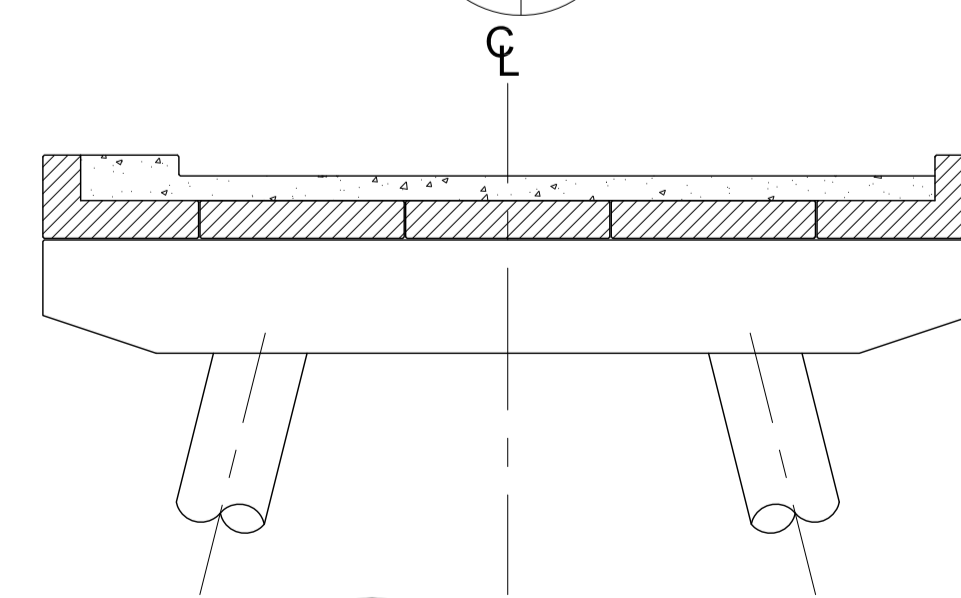
13
SECTION
SCALE 1:50
BENT S OFFSHORE FACE



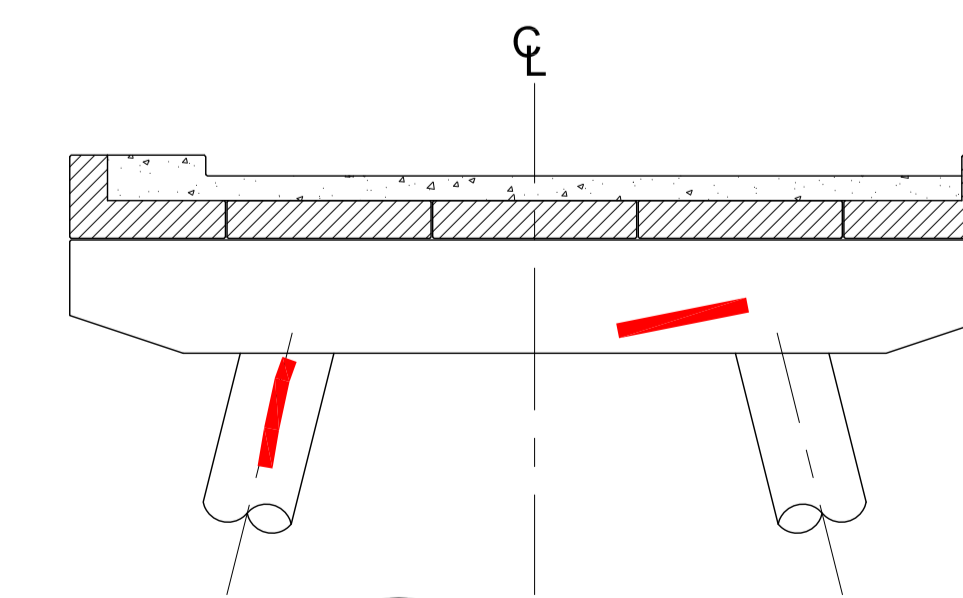
1
SECTION
SCALE 1:50
BENT L OFFSHORE FACE



6
SECTION
SCALE 1:50
BENT N SHORE FACE



11
SECTION
SCALE 1:50
BENT R OFFSHORE FACE



12
SECTION
SCALE 1:50
BENT R SHORE FACE

ASSOCIATED DRAWINGS

No.	TITLE
01	GENERAL ARRANGEMENT DRAWING
02	PILE AND BEAM LAYOUT DRAWING
03	DAMAGE TO SLABS & BEAM SOFFITS
04	DAMAGE TO SLABS & SURFACE OF JETTY
05	JETTY MISSING ROLLERS
06	SECTIONS BENT A to BENT K, JETTY APPROACH
07	SECTIONS BENT L to BENT T, MAIN JETTY
08	SECTIONS BENT 1 to BENT 2, MAIN JETTY
09	SECTIONS BENT 2 to BENT 3, MAIN JETTY
10	SECTIONS BENT 2 to BENT 3, NORTH FACE MAIN JETTY

NOTES

- ALL DIMENSIONS ARE IN MILLIMETRES.
- NO DIMENSIONS ARE TO BE SCALED FROM THIS DRAWING.
- THIS DRAWING IS TO BE READ IN CONJUNCTION WITH ALL ASSOCIATED DRAWINGS.

LEGEND

- Surface cracking to concrete
- Spalled concrete and exposed rebar
- Cracked columns
- Failed pile cap
- Blue areas indicate the repair works undertaken following the 2002 survey.

AMENDMENTS

SER.	DESCRIPTION	AUTH.	DATE

ROAD BAY JETTY
INSPECTION
ANGUILLA

SECTIONS BENT L to BENT T
JETTY APPROACH
& MAIN JETTY

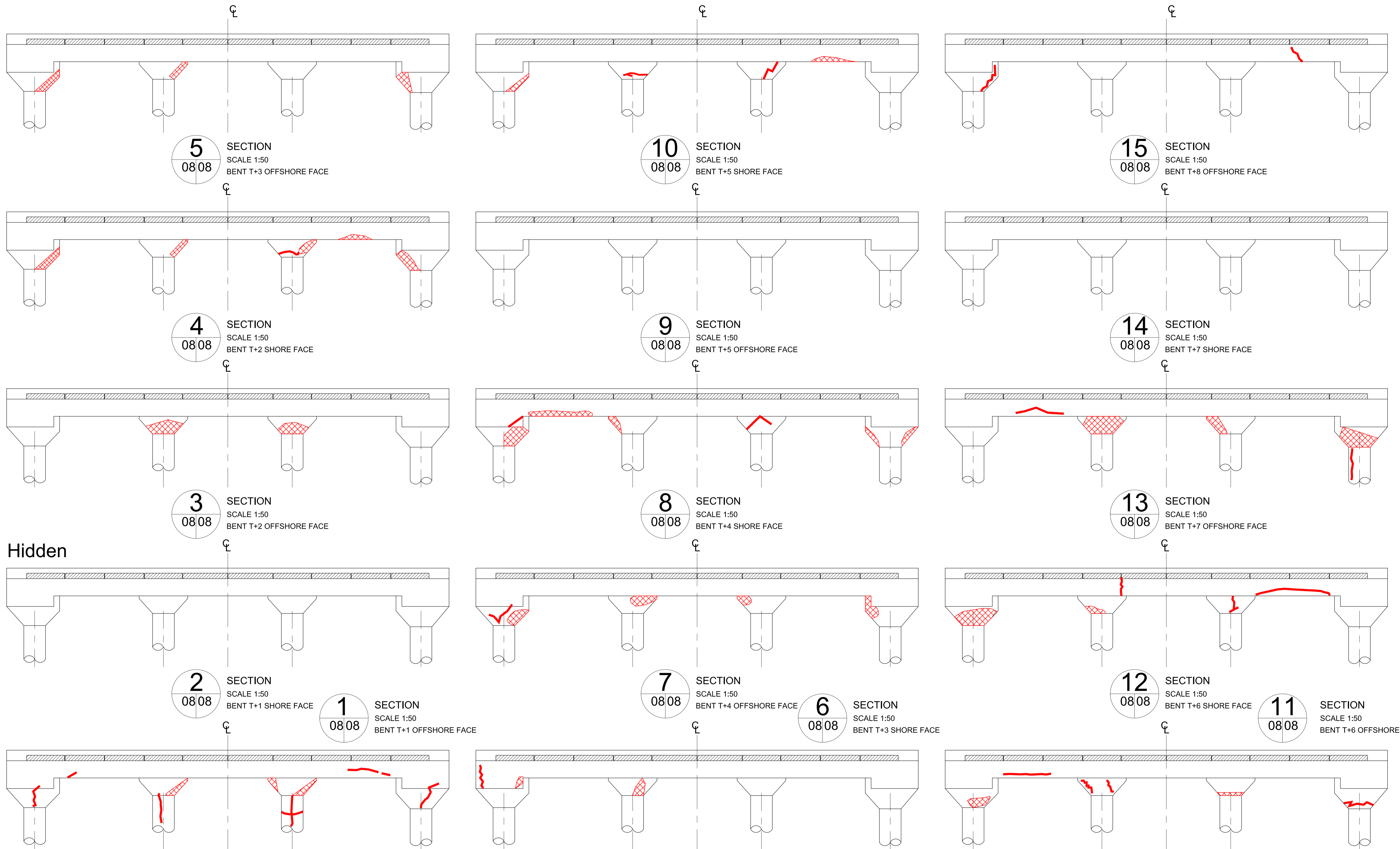
DRAWING No/CAD FILE: B5/04_05_08/07

SCALE: 1:50@A1	DATE: 23 JUL 14
----------------	-----------------

65 Wks Gp RE
170 (INFRA) SP/ENGR GP
CHIEF WYND BR
CHILWELL
NOTTINGHAM
NG9 5HA

OC STRE	APPROVED
MAJ AP NIXON MBE RE	APPROVED
CHARTERED ENGINEER	APPROVED
WOZ C GREEN RE	

GE	DATE	SIG.
CLK WKS		
DRAWN BY: SPR P CHARLTON	CHECKED	SIG.
SURVEYED	CHECKED	SIG.



Hidden

ASSOCIATED DRAWINGS

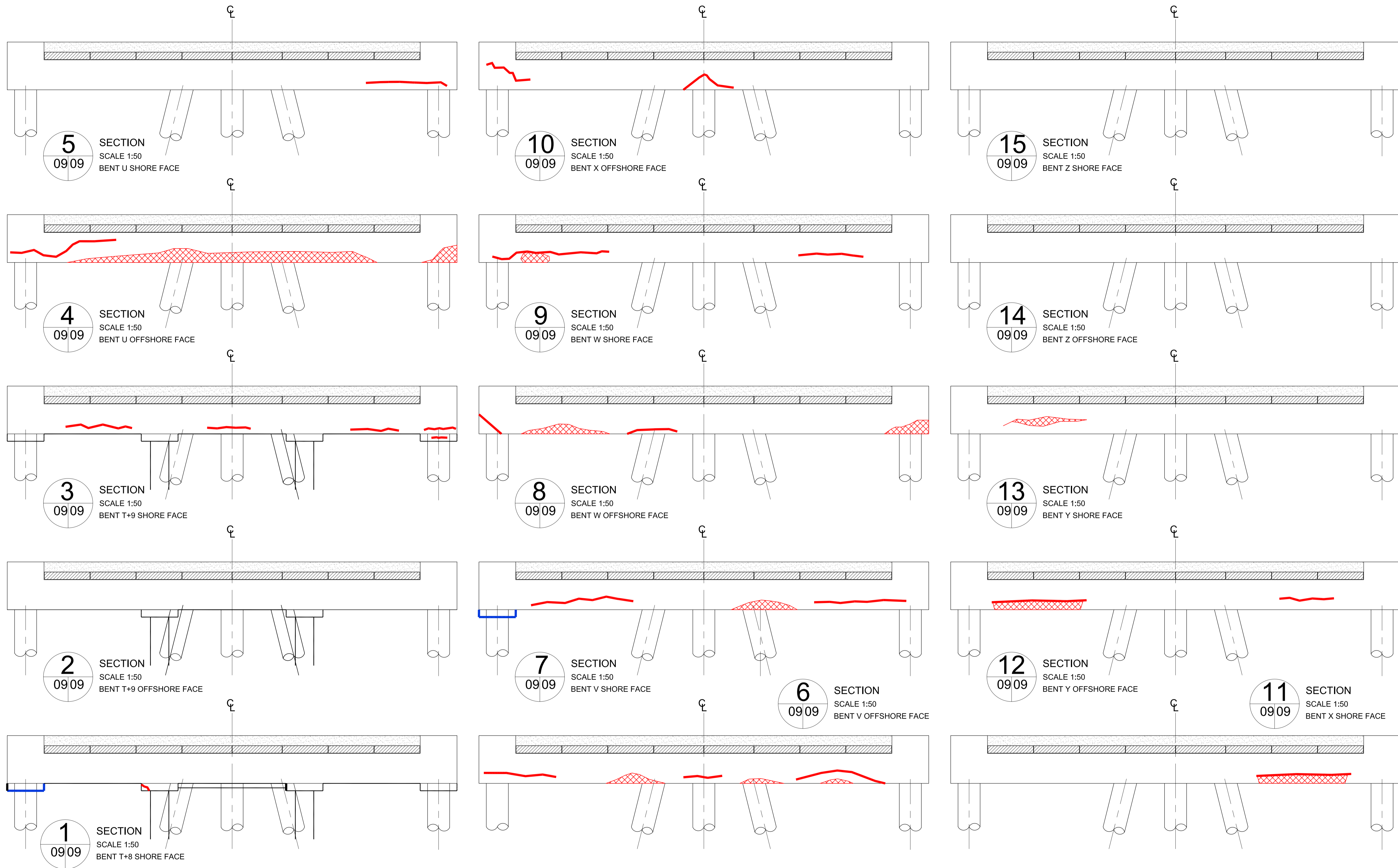
No.	TITLE
6604_05_001	GENERAL ARRANGEMENT DRAWING
01	DAMAGE TO SLABS & BEAM SOFFITS
02	LETTY MOORINGS COLLARS
03	LETTY MOORINGS COLLARS
04	LETTY MOORINGS COLLARS
05	LETTY MOORINGS COLLARS
06	LETTY MOORINGS COLLARS
07	LETTY MOORINGS COLLARS
08	LETTY MOORINGS COLLARS
09	LETTY MOORINGS COLLARS
10	LETTY MOORINGS COLLARS

- NOTES**
- ALL DIMENSIONS ARE IN MILLIMETRES.
 - NO DIMENSIONS ARE TO BE SCALED FROM THIS DRAWING.
 - THIS DRAWING IS TO BE READ IN CONJUNCTION WITH ALL ASSOCIATED DRAWINGS.

LEGEND

	Surface cracking to concrete
	Spalled concrete and exposed rebar
	Cracked columns
	Failed pile cap
	Blue areas indicate the repair works undertaken following the 2002 survey.

SER.	DESCRIPTION	AUTH.	DATE
AMENDMENTS			
ROAD BAY JETTY INSPECTION ANGUILLA			
SECTIONS BENT T+1 TO BENT T+8 MAIN JETTY			
DRAWING NO: 6604_05_0808			
SCALE: 1:50@A1			
DATE: 23 JUL 14			
65 Wks Gp RE			
OC STRE	APPROVED		
MAJ AP NIXON MBE RE	APPROVED		
CHARTERED ENGINEER	APPROVED		
W02 C GREEN RE	APPROVED		
DATE	DATE	DATE	DATE
CLK WKS	DATE	DATE	DATE
DRAWN BY	CHECKED	DATE	DATE
SPR P CHARLTON	CHECKED	DATE	DATE
SURVEYED	CHECKED	DATE	DATE



ASSOCIATED DRAWINGS

No.	TITLE
6604_05_001	GENERAL ARRANGEMENT DRAWING
01	DAMAGE TO SLABS & BEAM SOFFITS
02	REPAIRS TO BE UNDERTAKEN
03	LETTY MOORING COLLARS
04	APPROACH AND MAIN JETTY
05	SECTION BENT T+8 TO BENT T+9
06	SECTION BENT T+9 TO BENT T+10
07	SECTION BENT T+10 TO BENT T+11
08	SECTION BENT T+11 TO BENT T+12
09	SECTION BENT T+12 TO BENT T+13
10	SECTION BENT T+13 TO BENT T+14
11	SECTION BENT T+14 TO BENT T+15
12	SECTION BENT T+15 TO BENT T+16
13	SECTION BENT T+16 TO BENT T+17
14	SECTION BENT T+17 TO BENT T+18
15	SECTION BENT T+18 TO BENT T+19

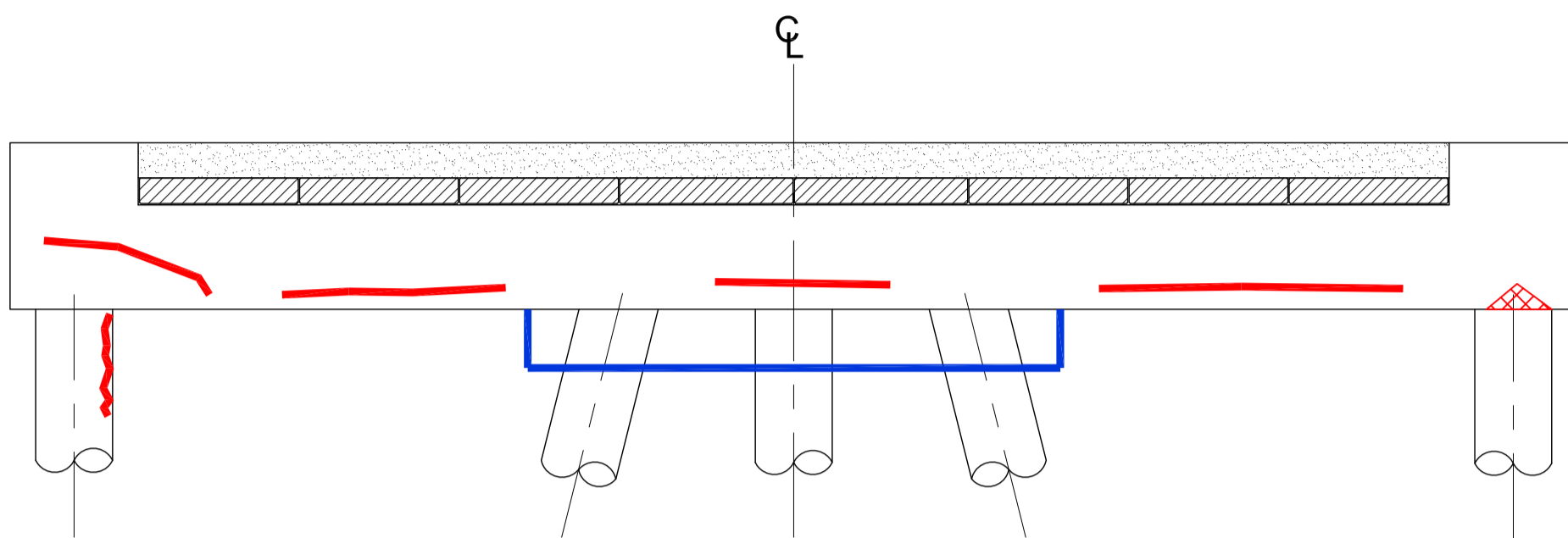
NOTES

- ALL DIMENSIONS ARE IN MILLIMETRES.
- NO DIMENSIONS ARE TO BE SCALED FROM THIS DRAWING.
- THIS DRAWING IS TO BE READ IN CONJUNCTION WITH ALL ASSOCIATED DRAWINGS.

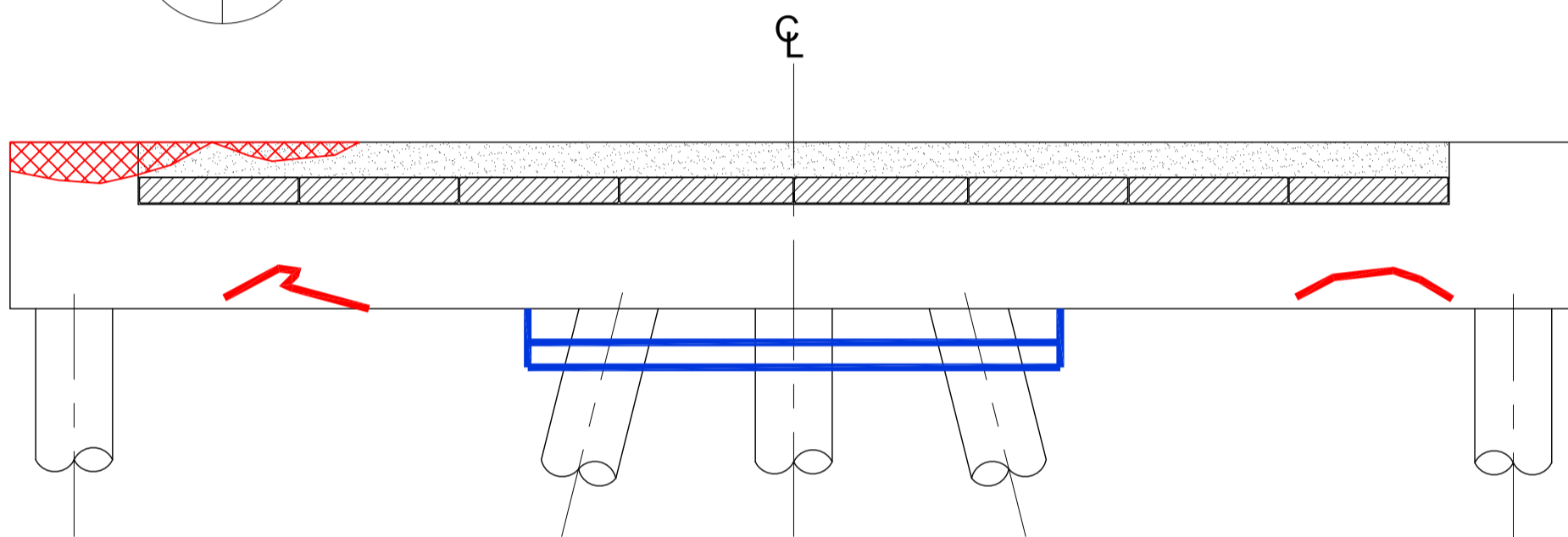
LEGEND

	Surface cracking to concrete
	Spalled concrete and exposed rebar
	Cracked columns
	Failed pile cap
	Blue areas indicate the repair works undertaken following the 2012 survey.

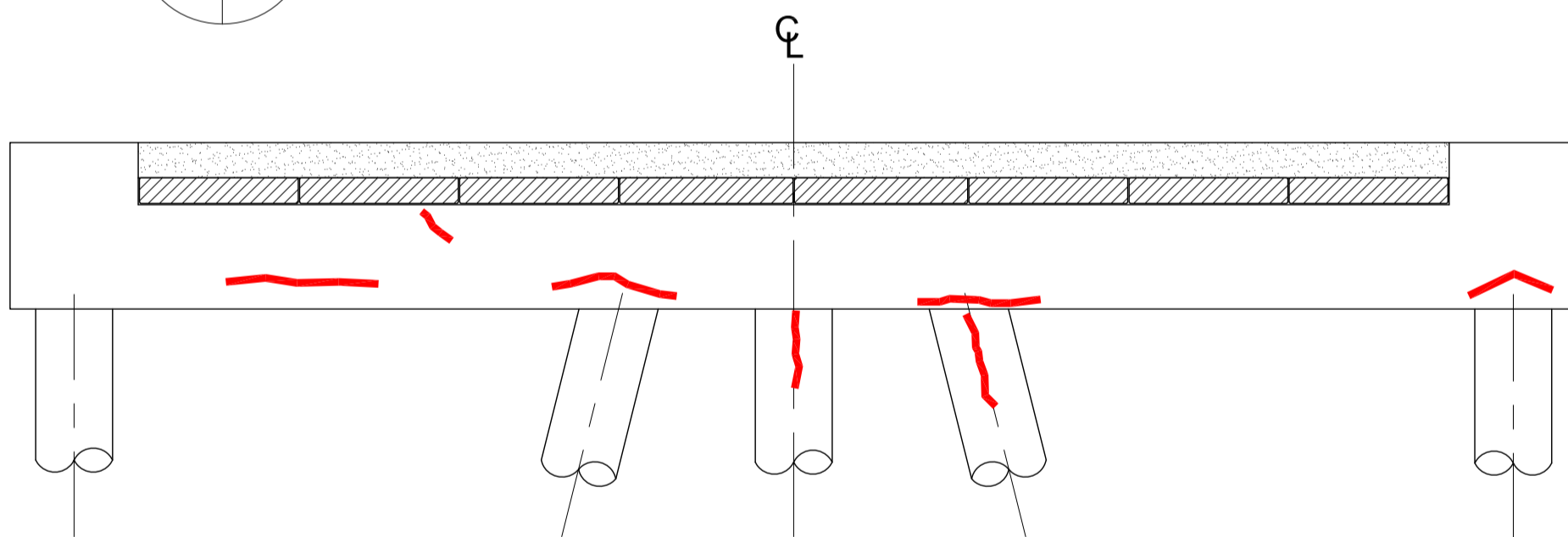
SER.	DESCRIPTION	AUTH.	DATE
AMENDMENTS			
ROAD BAY JETTY INSPECTION ANGUILLA			
SECTIONS BENT T+8 to BENT Z MAIN JETTY			
DRAWING NUMBER: 6604_05_009			
SCALE: 1:50@A1			
DATE: 23 JUL 14			
65 Wks Gp RE			
APPROVED			
OC STRE	MAJ AP NIXON MBE RE	APPROVED	
CHARTERED ENGINEER	W02 C GREEN RE	APPROVED	
DATE	DATE	CHECKED	DATE
CHK WKS	DATE	CHK	DATE
DRAWN BY	SPR P CHARLTON	CHECKED	DATE
SURVEYED		CHECKED	DATE



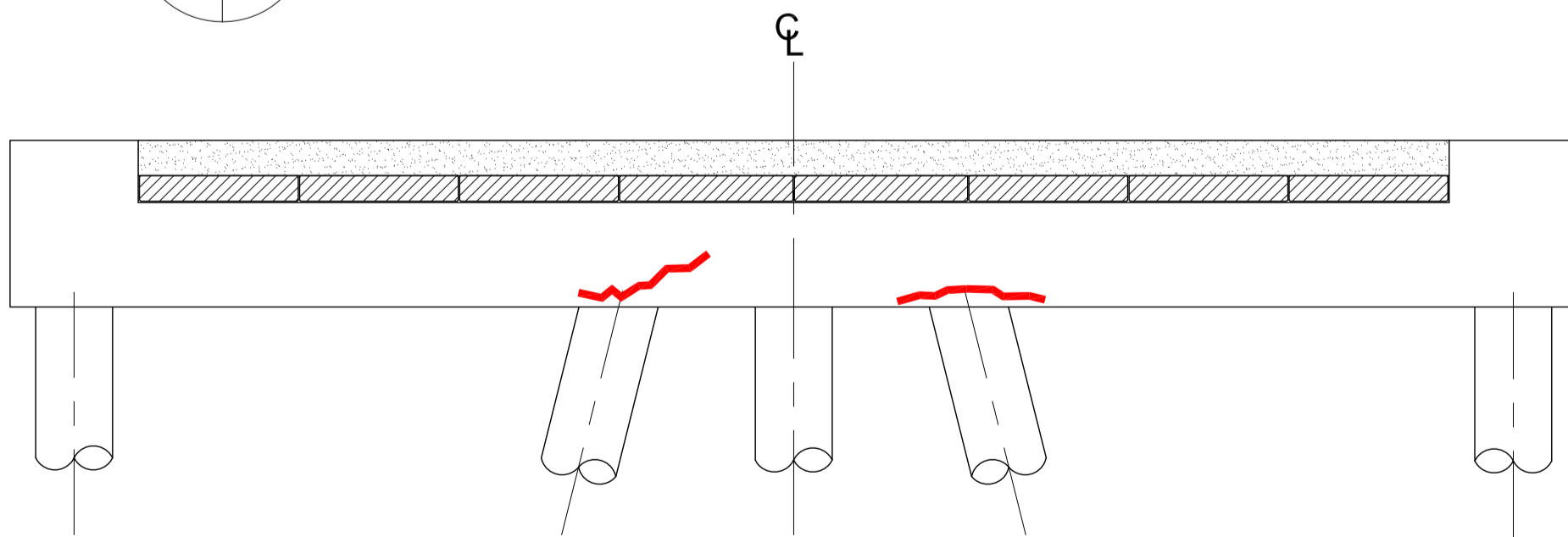
4 SECTION
SCALE 1:50
BENT Z+2 SHORE FACE



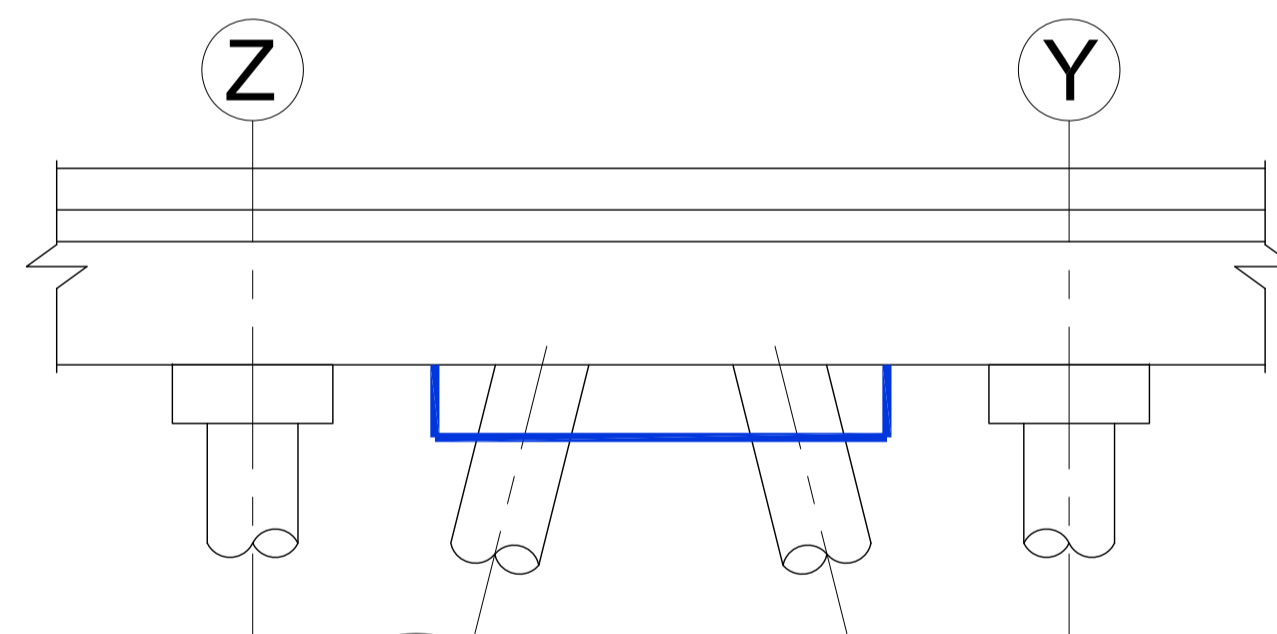
3 SECTION
SCALE 1:50
BENT Z+2 OFFSHORE FACE



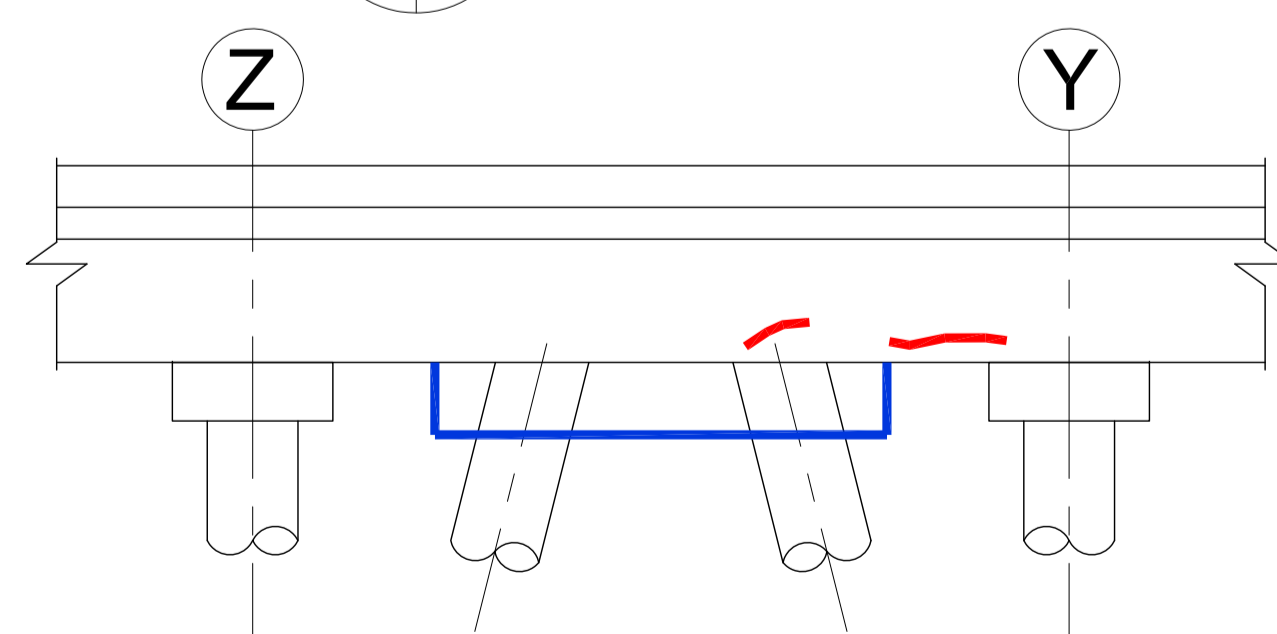
2 SECTION
SCALE 1:50
BENT Z+1 SHORE FACE



1 SECTION
SCALE 1:50
BENT Z+1 OFFSHORE FACE



6 SECTION
SCALE 1:50
BETWEEN BENT Y AND Z NORTH FACE



5 SECTION
SCALE 1:50
BETWEEN BENT Y AND Z SOUTH FACE

ASSOCIATED DRAWINGS

No.	TITLE
01	GENERAL ARRANGEMENT DRAWING
02	PILEND & BEAM LAYOUT DRAWING
03	DAMAGE TO SLABS & BEAM SOFFITS
04	DAMAGE TO SLABS & SURFACE OF JETTY
05	JETTY MOORING BOLLARDS
06	SECTIONS BENT A to BENT K, JETTY APPROACH
07	SECTIONS BENT L to BENT T, JETTY APPROACH & MAIN JETTY
08	SECTIONS BENT T+1 to BENT T+8 MAIN JETTY
09	SECTIONS BENT T+8 to BENT Z MAIN JETTY

NOTES

- ALL DIMENSIONS ARE IN MILLIMETRES.
- NO DIMENSIONS ARE TO BE SCALED FROM THIS DRAWING.
- THIS DRAWING IS TO BE READ IN CONJUNCTION WITH ALL ASSOCIATED DRAWINGS.

LEGEND

- Surface cracking to concrete
- Spalled concrete and exposed rebar
- Cracked columns
- Failed pile cap
- Blue areas indicate the repair works undertaken following the 2002 survey.

SER	DESCRIPTION	AUTH	DATE
AMENDMENTS			

**ROAD BAY JETTY
INSPECTION
ANGUILLA**

**SECTIONS BENT Z+1 to
BENT Y & Z NORTH
FACE MAIN JETTY**

DRAWING No/CAD FILE
B5/04_05_08/10

SCALE 1:50@A1 DATE 23 JUL 14

65 Wks Gp RE

OC STRE MAJ AP NIXON MBE RE	APPROVED
CHARTERED ENGINEER WOZ C GREEN RE	APPROVED

GE	DATE	S/S
CLK WKS	DATE	S/S
DRAWN BY SPR P CHARLTON	CHECKED	S/S
SURVEYED	CHECKED	S/S